

EN

Robotic Pool Cleaner Swash CLX/TCX

User Instructions

Contents

1. INTRODUCTION	2
2. SPECIFICATIONS	2
3. WARNINGS AND CAUTIONS	2
3.1. Warnings.....	2
3.2. Cautions.....	2
4. POOL CLEANER PARTS	3
5. USING THE POOL CLEANER.....	4
5.1. Setup.....	4
5.2. Putting the Pool Cleaner into the pool.....	5
5.3. Removing the Pool Cleaner from the pool	6
6. CLEANING THE FILTER BAG OR CARTRIDGES	7
6.1. Removing and cleaning the filter bag.....	7
6.2. Replacing the filter bag	8
6.3. Cleaning the filter cartridges	8
6.4. Cleaning the impeller	10
7. OFFSEASON STORAGE.....	10
8. TROUBLESHOOTING.....	11

Robotic Pool Cleaner

User Instructions

1. INTRODUCTION

Thank you for purchasing a Maytronics Robotic Pool Cleaner.

We are sure that your Maytronics Robotic Pool Cleaner will provide you with reliable, convenient and cost effective pool cleaning. Its reliable filtration in all pool conditions, active brushing, and all-surface climbing brush enhance maximum pool hygiene.

Robotic Pool Cleaners by Maytronics deliver advanced cleaning technology, long lasting performance and easy maintenance. You and your family will be free to enjoy your swim with the full confidence that it is completely clean.

2. SPECIFICATIONS

Motor protection: IP 68

Minimum depth: 0.80m/2.6ft

Maximum depth: 5m/16.4ft

3. WARNINGS AND CAUTIONS

3.1. Warnings



- Use the originally supplied power supply only
- Ensure the electrical outlet is protected by a ground fault interrupter (GFI) or an earth leakage interrupter (ELI)
- Keep the power supply out of standing water
- Position the power supply at least 3m/10ft away from the edge of the pool
- Do not enter the pool while the Pool Cleaner is working
- Unplug the power supply before servicing

3.2. Cautions

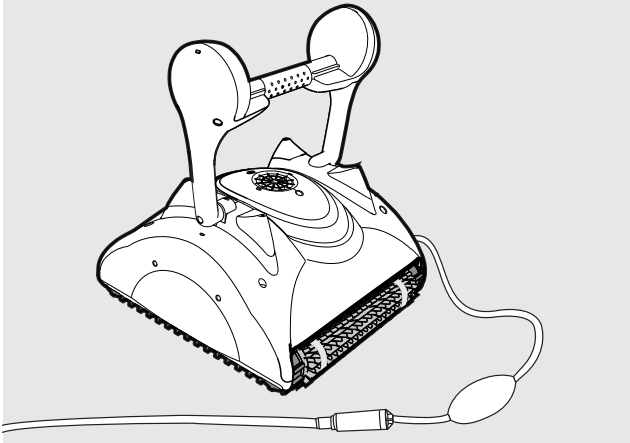
When not in use store the Pool Cleaner on the Caddy in a shaded area.

Use the Pool Cleaner in the following water conditions only:

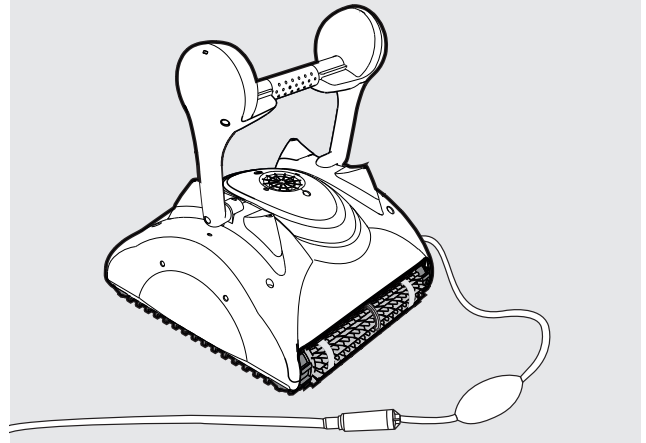
Chlorine	Max 4 ppm
pH	7.0 - 7.8
Temperature	6°-34°C / 43°-93°F
NaCl	Maximum = 5000 ppm

4. POOL CLEANER PARTS

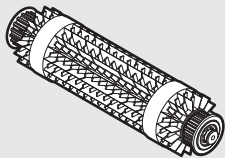
► Robotic Pool Cleaner Swash



► Robotic Pool Cleaner Swash

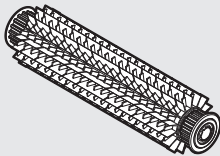


► Brushes

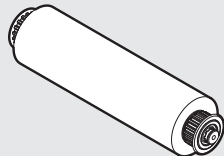


Combined Brush
All surface climbing brush,
ideal for most pools surfaces

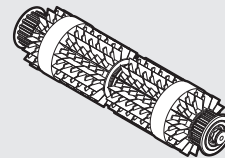
Optional Brushes



PVC Brush
For concrete, PVC,
fiberglass and liner

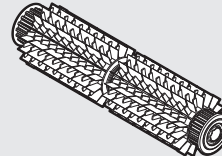


Wonder Brush
For smooth ceramics

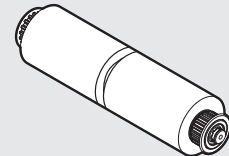


Combined Brush
All surface climbing brush,
ideal for most pools surfaces

Optional Brushes

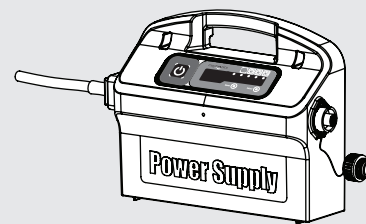
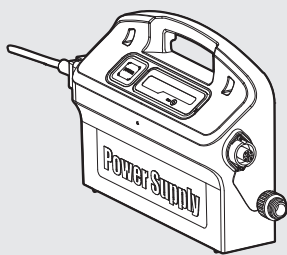


PVC Brush
For concrete, PVC,
fiberglass and liner

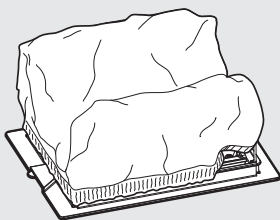


Wonder Brush
For smooth ceramics

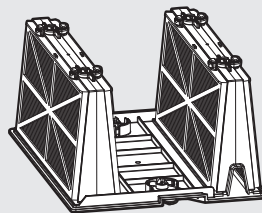
► Power Supply unit



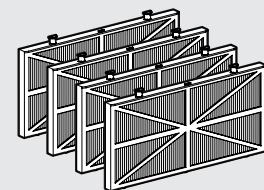
► Filtration Options



Bottom lid and filter Bag



Frame Cartridges and 4 ultra-fine filters



Spring clean-up filters

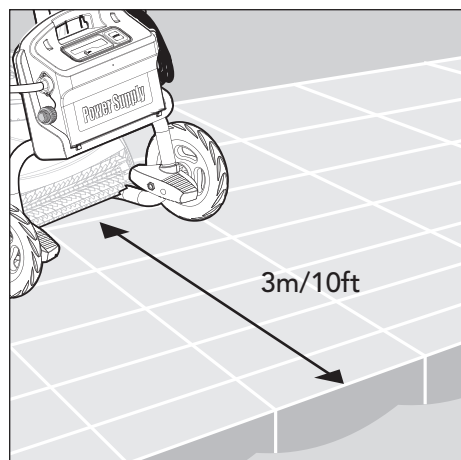
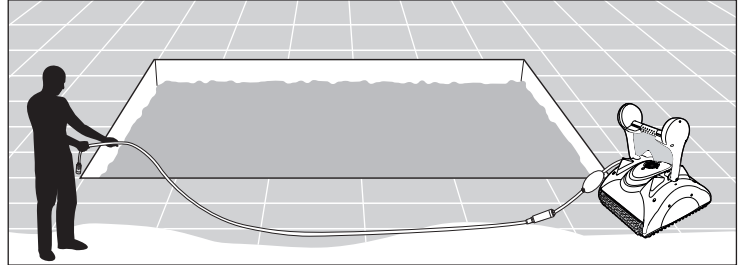
5. USING THE POOL CLEANER

The Pool Cleaner is very easy to use. Just follow the simple steps to get started, and your Pool Cleaner is ready to go.

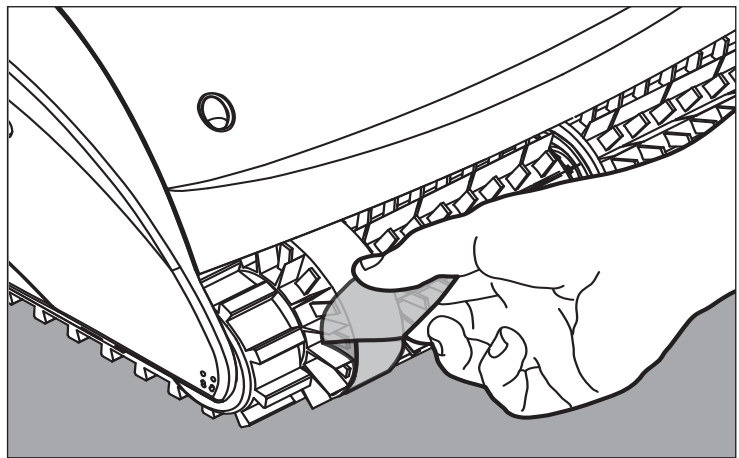
5.1. Setup

Before using the Pool Cleaner for the first time perform the following steps:

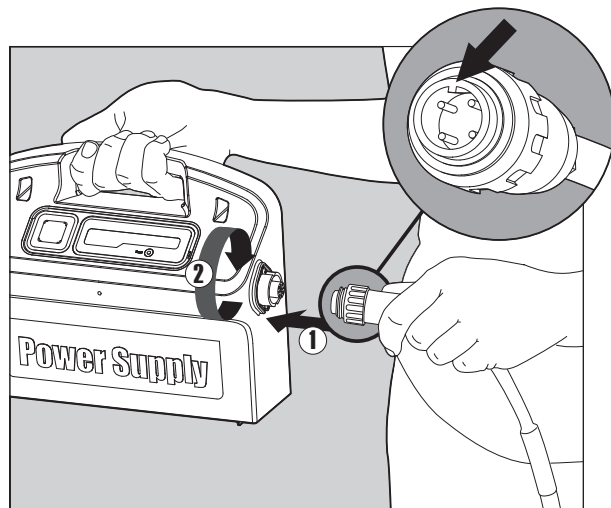
Unwind the cable and stretch it out completely so that it has no kinks.



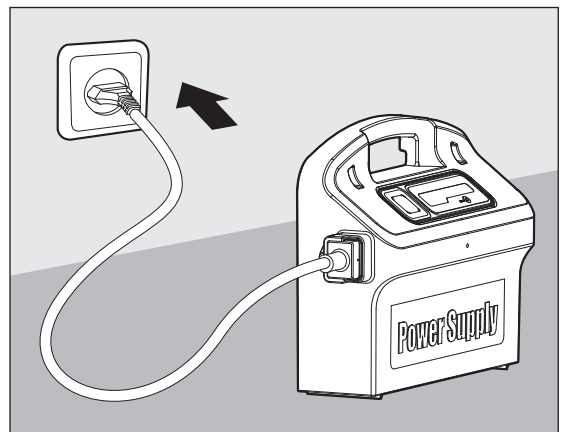
Position the power supply so that it is approximately in the middle of the long side of the pool at a distance of 3m/10ft.



Some models arrive with plastic coverings on the brushes. Remove them before use.



Attach the floating cable to the power supply by inserting it with the notch on the connector (1) lined up with the groove in the socket on the power supply and turning clockwise (2).



Plug in the power supply and leave it in the OFF position.

5.2. Putting the Pool Cleaner into the pool

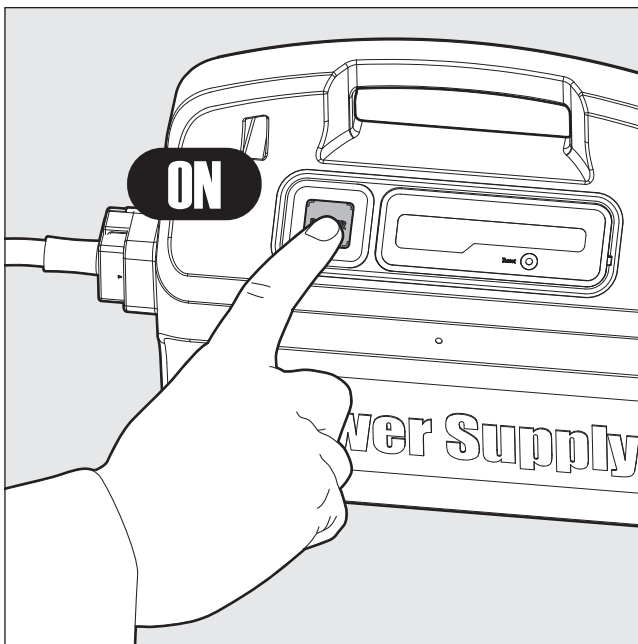
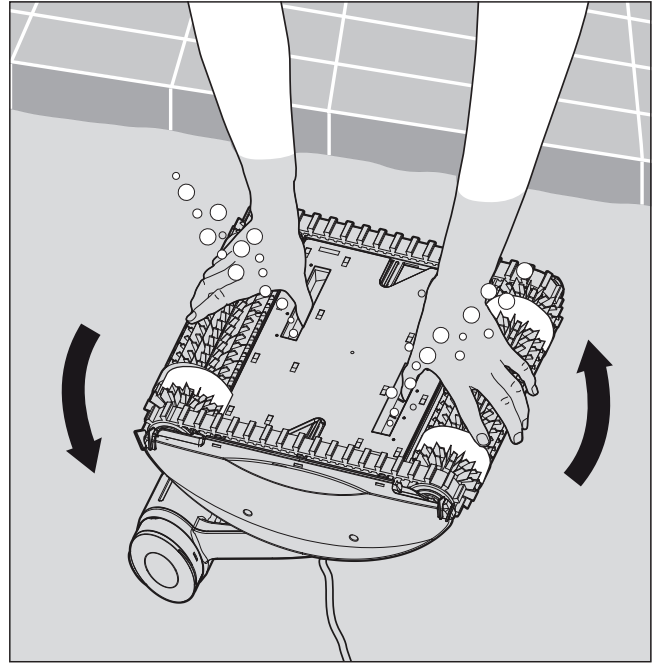
If your Pool Cleaner is equipped with brushes that contain sponges, dip the brushes in the water and squeeze them so that they will absorb water the first time you use the Pool Cleaner, or if the brushes have dried out between uses.

Holding the Pool Cleaner upside down in the water, gently rock it back and forth with your fingers holding the plastic doors on the bottom lid open to release trapped air. Continue until no more bubbles are released.

Release the Pool Cleaner and let it sink to the floor of the pool.

Make sure that the floating cable is free of any obstructions.

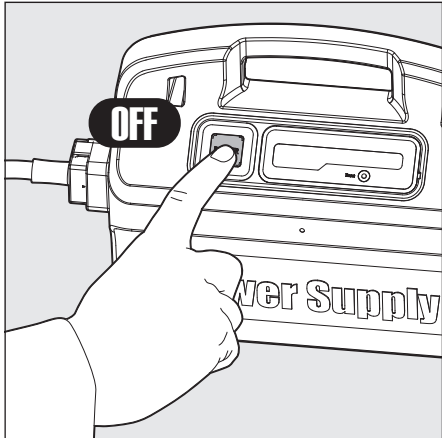
To avoid kinks in the floating cable, place approximately enough cable in the water for the Pool Cleaner to reach the farthest corner of the pool.



Turn the power supply ON.

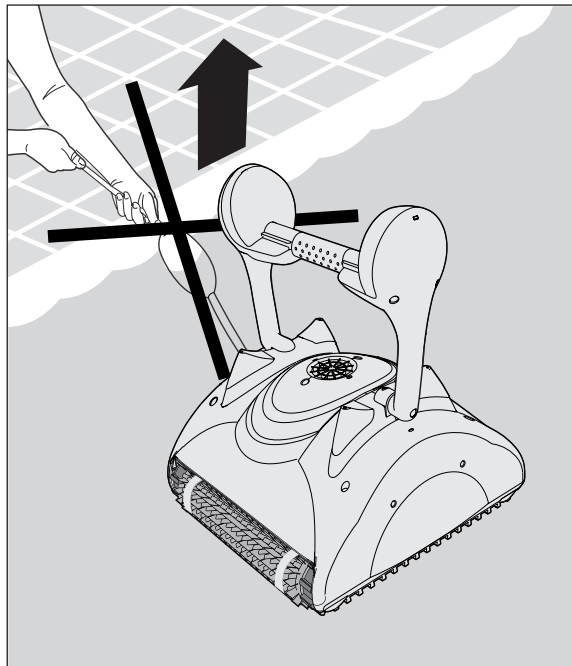
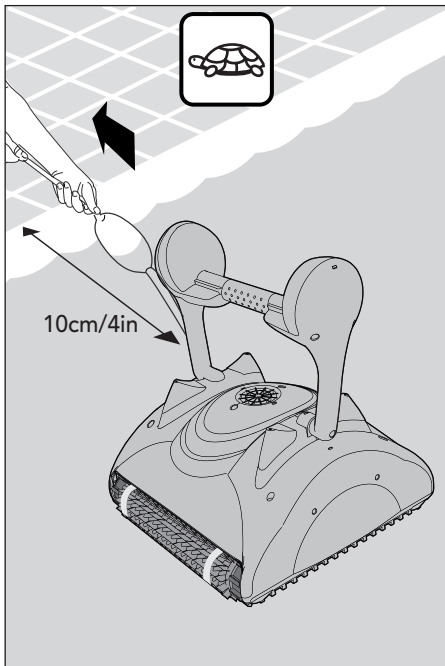
The Pool Cleaner will now operate until it has reached the end of the cleaning cycle.

5.3. Removing the Pool Cleaner from the pool

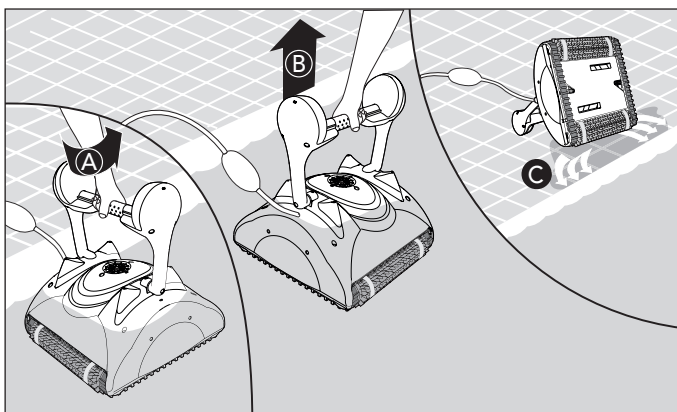


 Turn OFF and unplug the power supply.

Using the floating cable, bring the Pool Cleaner to the pool's edge.
Using the handle, remove the Pool Cleaner from the pool.



 DO NOT PULL THE POOL CLEANER FROM THE POOL USING THE CABLE.

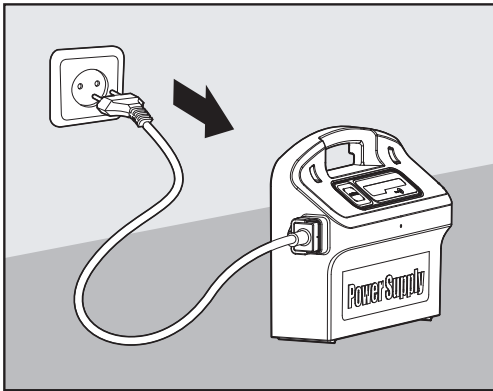



Place the Pool Cleaner on the edge of the pool and let the water drain out.

6. CLEANING THE FILTER BAG OR CARTRIDGES

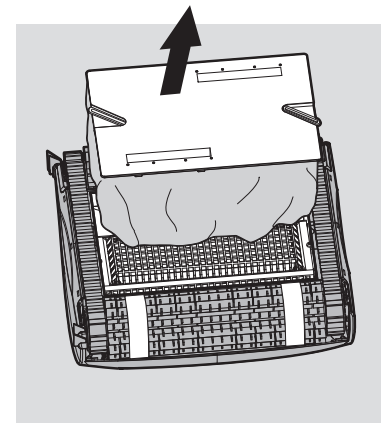
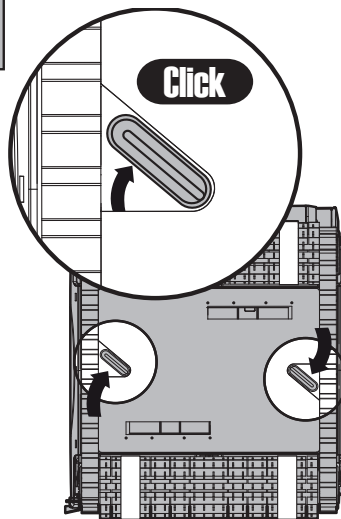
Depending on the model, your Pool Cleaner may be equipped with a filter bag or cartridges. It is recommended to clean the filter bag or cartridges after each cleaning cycle.

6.1. Removing and cleaning the filter bag

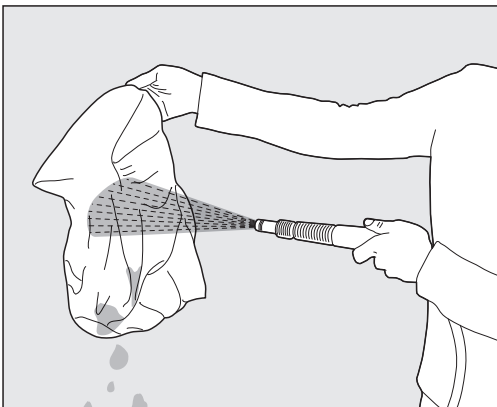
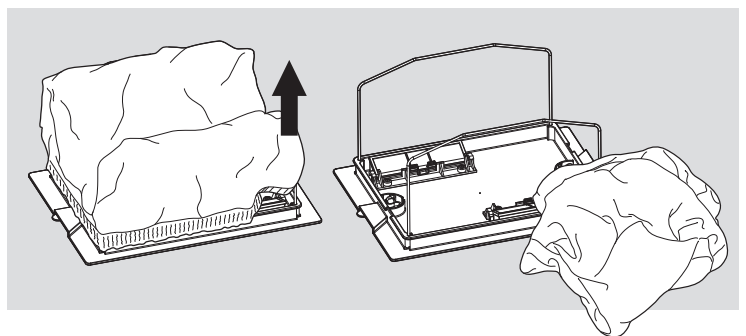


 **Unplug the power supply.**

Turn the Pool Cleaner upside-down.
Open the bottom lid.



Remove the filter bag.



Clean the filter bag with a hose.

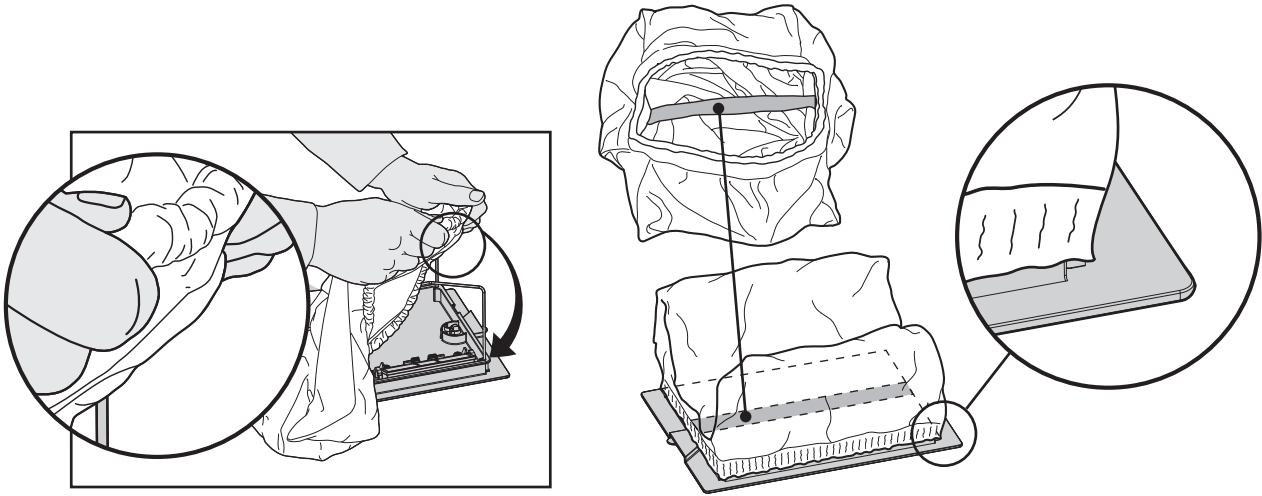
We recommend that you periodically wash the filter bag in a washing machine using the gentle cycle program.

Periodically clean the brushes with a hose.

6.2. Replacing the filter bag

Put the filter bag over the frame so that the strap is in the middle of the shortest side.

Make sure that filter bag is positioned properly on the frame.



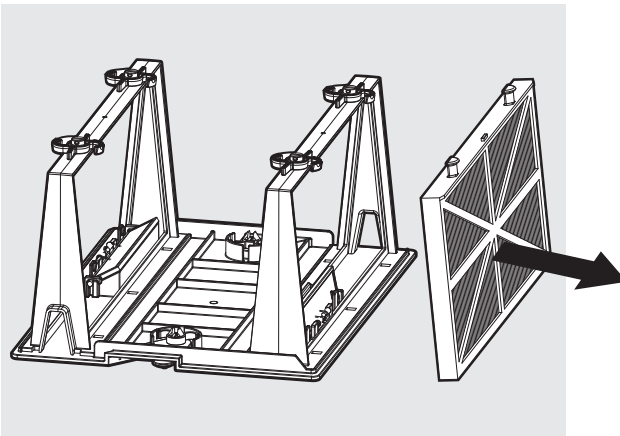
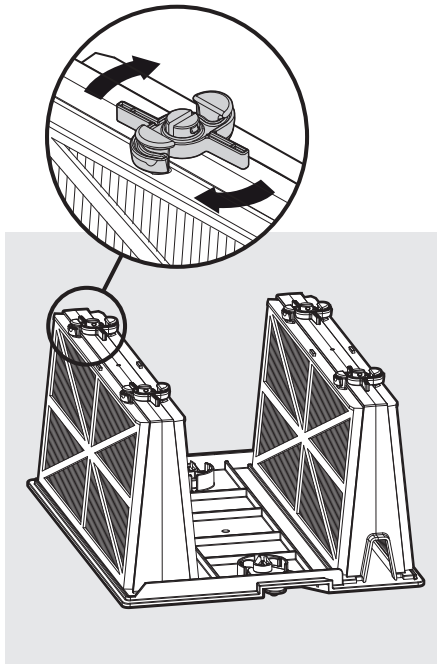
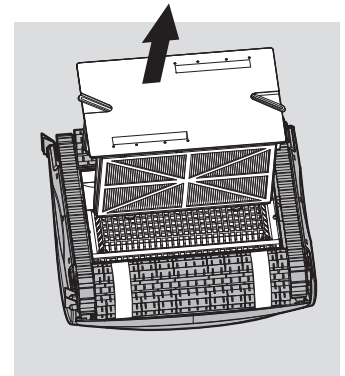
6.3. Cleaning the filter cartridges

Note: Don't let the filter cartridges dry out before cleaning.

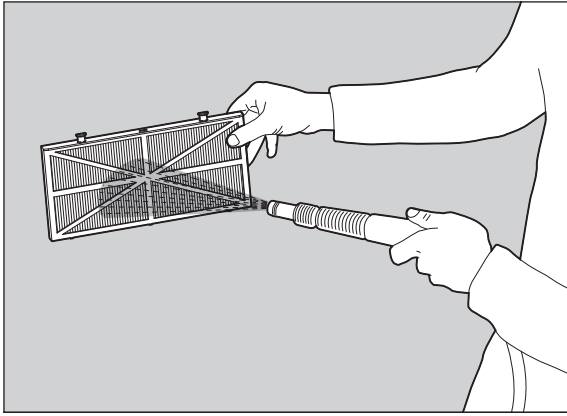


Unplug the power supply.

With the Pool Cleaner upside down open the bottom lid and pull it out.



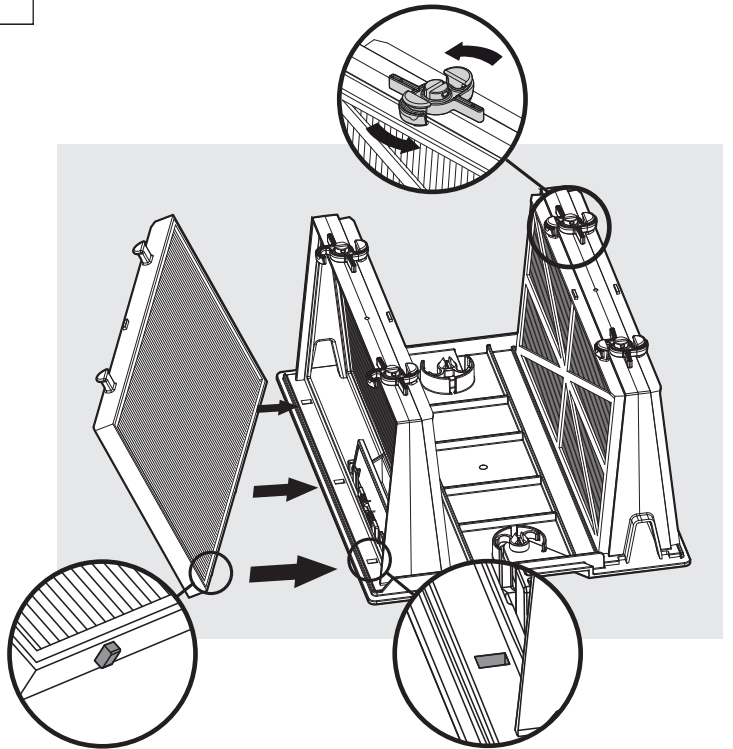
Open the clips and remove the filter.



Clean the filters with a hose.

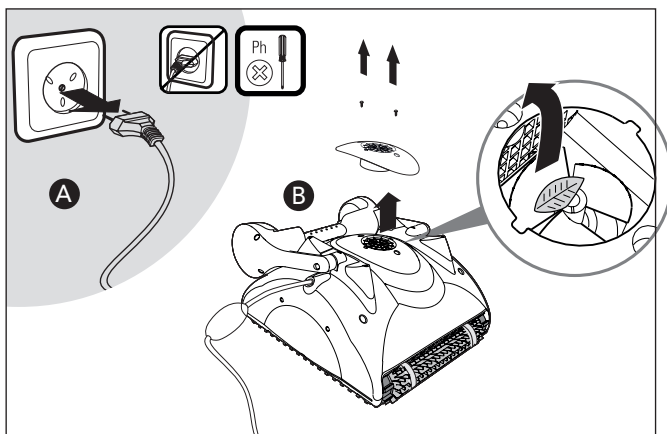
Insert the filters with the plastic backing facing out.

Insert the cartridge unit.



6.4. Cleaning the impeller

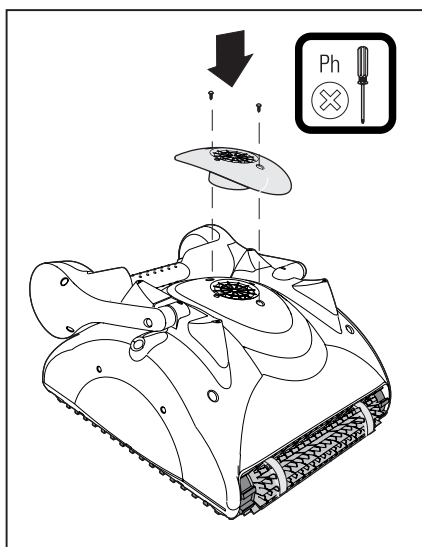
If you notice debris trapped in the impeller open the impeller and remove the debris.



Unplug the power supply.

Using a screwdriver, remove the two screws on the impeller cover and remove it.

Clear any debris that may be in the impeller.



Replace the screws.

7. OFFSEASON STORAGE

If the Pool Cleaner will not be in use for an extended period, perform the following storage steps:

- Disconnect the Pool Cleaner from mains
- Make sure that no water is left in the Pool Cleaner
- Thoroughly clean the filter bag or cartridges and insert in place
- Roll up the cable so that it has no kinks and place on the Caddy
- Store the Pool Cleaner upright on the Caddy or simply upside down in a protected area out of direct sun/rain/snow at a temperature of between 5°-45°C/41°-113°F

8. TROUBLESHOOTING

If the suggest solutions do not solve the problem contact your dealer

Symptom	Possible reason	Corrective action
1. Cable twisting or cable coils up	<ul style="list-style-type: none"> • Obstruction in pool • Excess cable in the pool • Filter bag/cartridge dirty • In all abovementioned cases 	<ul style="list-style-type: none"> • Remove obstruction in pool. • Remove excess cable out of the pool. • Clean filter bag/cartridge. • Straighten cable and lay in sun periodically.
2. The Pool Cleaner is moving in circles	<ul style="list-style-type: none"> • Dirt stuck in moving parts • Clogged filter bag/cartridge • Power supply incorrectly positioned • Incorrect mounting of bottom lid • Algae or pool water is out of Spec 	<ul style="list-style-type: none"> • Remove dirt from moving parts. • Clean filter bag/cartridge. • Place power supply in a position so that the Pool Cleaner can reach all walls. • Lock bottom lid in the right position. • Correct pool and water conditions.
3. The Pool Cleaner does not cover the entire pool	<ul style="list-style-type: none"> • Power supply incorrectly positioned • The handle is not positioned in accordance to the pool conditions 	<ul style="list-style-type: none"> • Place power supply in a position so that the Pool Cleaner can reach all walls. • You may enhance the pool coverage by adjusting the handle float. For optimal pool coverage the Pool Cleaner should turn on the floor at 90° angle (the Pool Cleaner rotates twice before completing the 90° turn). <ol style="list-style-type: none"> 1. If the Pool Cleaner does not complete a 90° turn, shift the float opposite to the cable's entry-side towards the handle center. 2. If the Pool Cleaner turns in an angle wider than 90°, shift the float on the cable's entry-side towards the handle center.
4. The Pool Cleaner does not climb walls	<ul style="list-style-type: none"> • Filter bag/cartridge is full • Algae on walls • Water temperature too low • Brushes worn • Slippery ceramic wall tiles • Debris caught around impeller • The Pool Cleaner is too light - trapped air • Unsuitable pH level 	<ul style="list-style-type: none"> • Empty and wash filter bag/cartridge. • Brush walls. • Ideal water temperature between 6°-34°C/43°-93°F. • Replace brushes - contact your dealer. • Consult with your dealer about special brushes. • Remove impeller tube. Clean impeller. • Turn the Pool Cleaner upside down under water to remove trapped air. • Check pH level between 7 and 7.8.
5. Motors not working	<ul style="list-style-type: none"> • Impeller blocked • Drive system blocked • Electrical problem - motor unit, cable or power supply 	<ul style="list-style-type: none"> • Remove impeller tube and clean impeller. • Clean tracks and wheels. • Consult with your dealer and Service Center.
6. The Pool Cleaner will not sink	<ul style="list-style-type: none"> • Air caught in filter bag/cartridge • Special combined climbing brushes are dry 	<ul style="list-style-type: none"> • Turn the Pool Cleaner upside-down under water to remove trapped air. Wash the filter bag/cartridge. • Open two inlet flaps in the bottom lid to remove dirt and/or trapped air. • Soak brushes in water.
7. Power supply or power supply switch light is not working	<ul style="list-style-type: none"> • Not plugged properly or non-functioning socket 	<ul style="list-style-type: none"> • Check power to the socket and reconnect the Pool Cleaner.